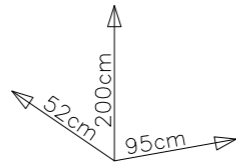
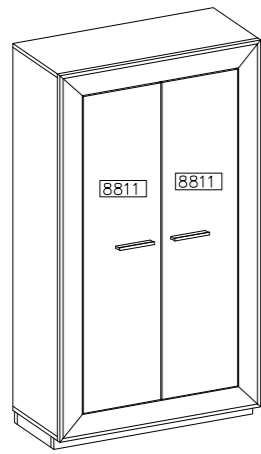
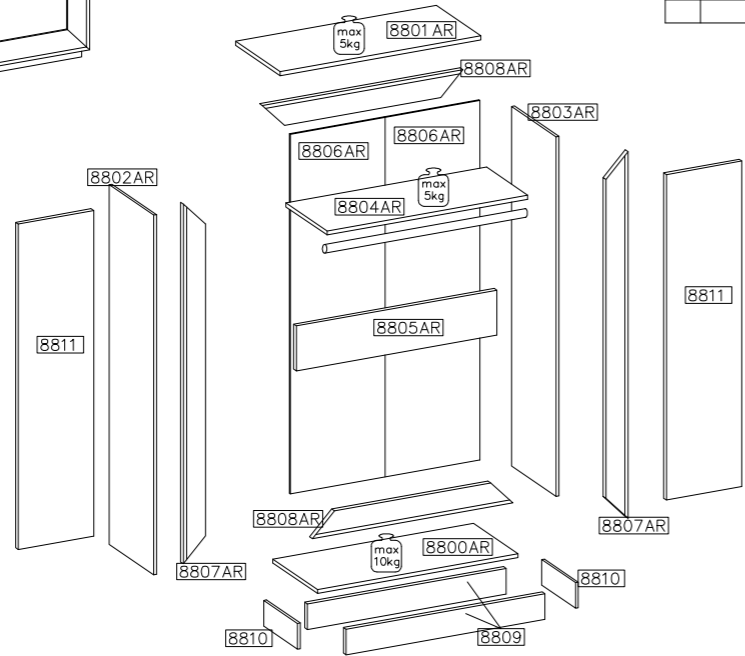


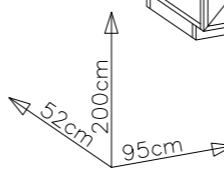
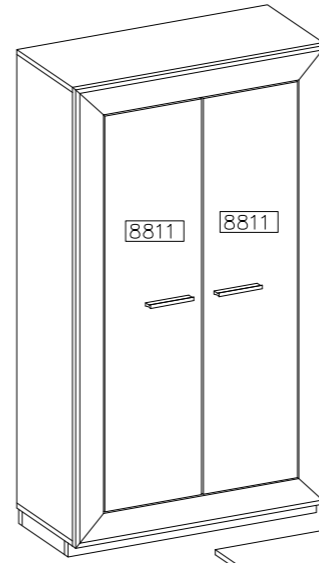
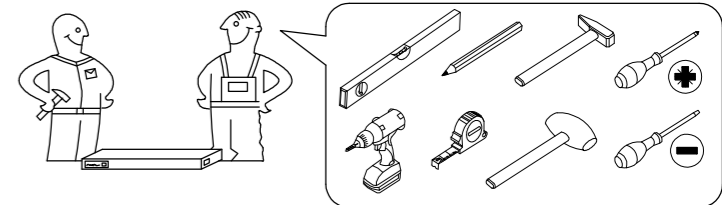
FOX-1
ARTISAN



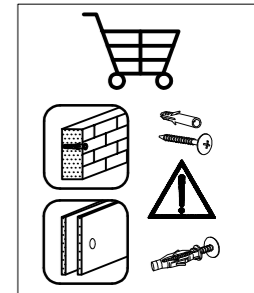
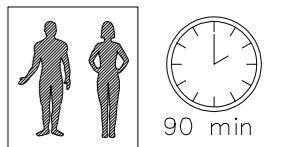
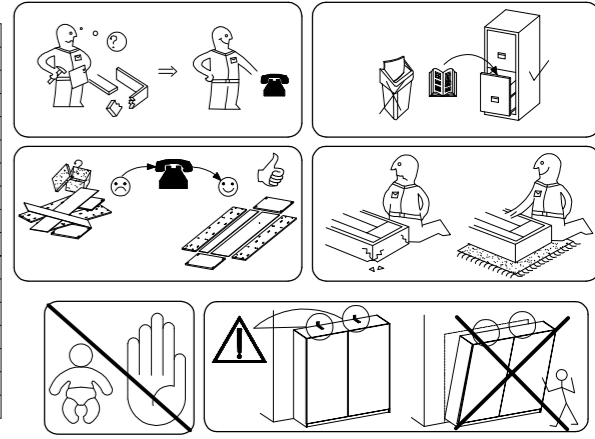
| # | ART. NR | L | W | T | Q | Col.No |
|----|---------|------|-----|-----|---|--------|
| 1 | 8800 AR | 950 | 500 | 16 | 1 | 1 |
| 2 | 8801 AR | 950 | 500 | 16 | 1 | 1 |
| 3 | 8802 AR | 1878 | 500 | 16 | 1 | 1 |
| 4 | 8803 AR | 1878 | 500 | 16 | 1 | 1 |
| 5 | 8804 AR | 918 | 480 | 16 | 1 | 1 |
| 6 | 8805 AR | 918 | 230 | 16 | 1 | 1 |
| 7 | 8806 AR | 1893 | 465 | 2,5 | 2 | 1 |
| 8 | 8807 AR | 1910 | 70 | 18 | 2 | 2 |
| 9 | 8808 AR | 950 | 70 | 18 | 2 | 2 |
| 10 | 8809 | 890 | 90 | 16 | 2 | 2 |
| 11 | 8810 | 434 | 90 | 16 | 2 | 2 |
| 12 | 8811 | 1750 | 395 | 16 | 2 | 3 |



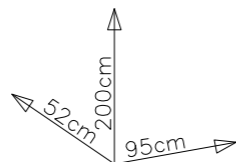
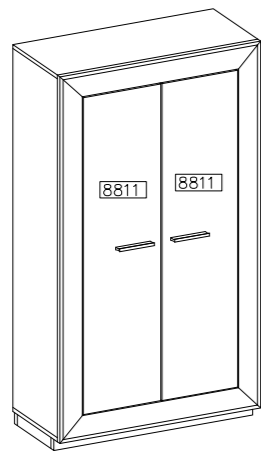
FOX
FOX1



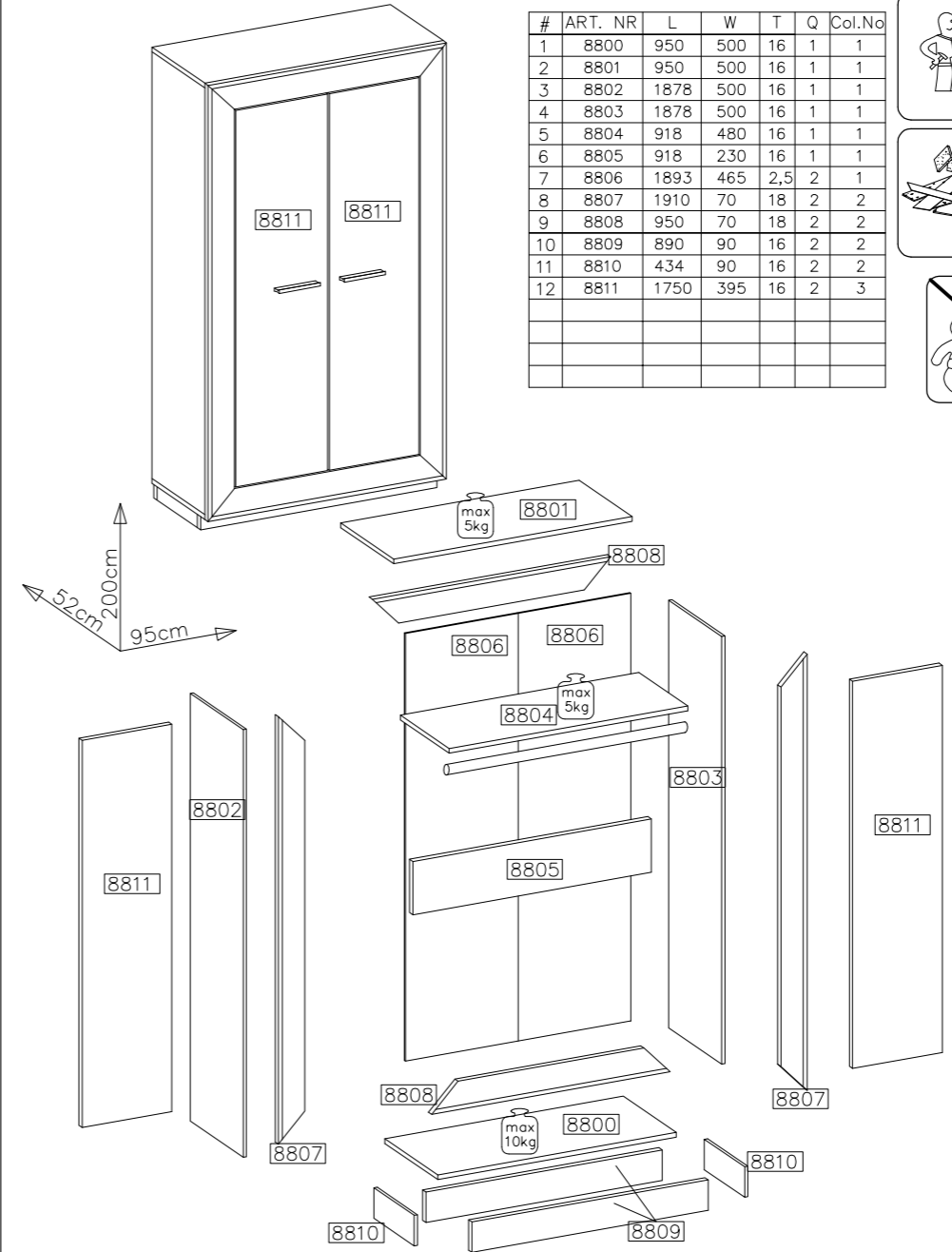
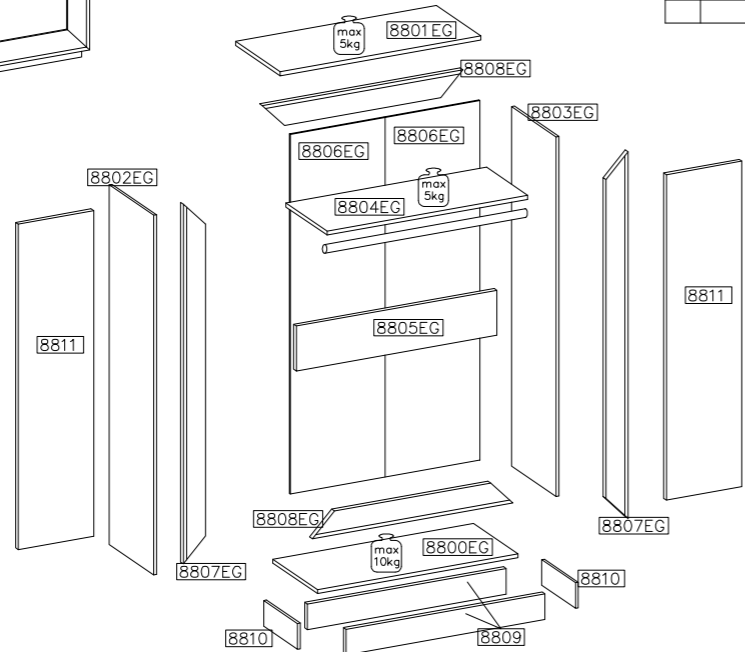
| # | ART. NR | L | W | T | Q | Col.No |
|----|---------|------|-----|-----|---|--------|
| 1 | 8800 | 950 | 500 | 16 | 1 | 1 |
| 2 | 8801 | 950 | 500 | 16 | 1 | 1 |
| 3 | 8802 | 1878 | 500 | 16 | 1 | 1 |
| 4 | 8803 | 1878 | 500 | 16 | 1 | 1 |
| 5 | 8804 | 918 | 480 | 16 | 1 | 1 |
| 6 | 8805 | 918 | 230 | 16 | 1 | 1 |
| 7 | 8806 | 1893 | 465 | 2,5 | 2 | 1 |
| 8 | 8807 | 1910 | 70 | 18 | 2 | 2 |
| 9 | 8808 | 950 | 70 | 18 | 2 | 2 |
| 10 | 8809 | 890 | 90 | 16 | 2 | 2 |
| 11 | 8810 | 434 | 90 | 16 | 2 | 2 |
| 12 | 8811 | 1750 | 395 | 16 | 2 | 3 |



FOX-1
EGGER



| # | ART. NR | L | W | T | Q | Col.No |
|----|---------|------|-----|-----|---|--------|
| 1 | 8800EG | 950 | 500 | 16 | 1 | 1 |
| 2 | 8801 EG | 950 | 500 | 16 | 1 | 1 |
| 3 | 8802EG | 1878 | 500 | 16 | 1 | 1 |
| 4 | 8803EG | 1878 | 500 | 16 | 1 | 1 |
| 5 | 8804 EG | 918 | 480 | 16 | 1 | 1 |
| 6 | 8805EG | 918 | 230 | 16 | 1 | 1 |
| 7 | 8806EG | 1893 | 465 | 2,5 | 2 | 1 |
| 8 | 8807EG | 1910 | 70 | 18 | 2 | 2 |
| 9 | 8808EG | 950 | 70 | 18 | 2 | 2 |
| 10 | 8809 | 890 | 90 | 16 | 2 | 2 |
| 11 | 8810 | 434 | 90 | 16 | 2 | 2 |
| 12 | 8811 | 1750 | 395 | 16 | 2 | 3 |



| | | | | | | | | | | |
|--|---|--------------------------------|---|---|--|---|---|---|---|---------------------------------|
| $\varnothing 8 \times 30 \text{mm}$ A | $\varnothing 8 \times 40 \text{mm}$ A1 | $6,4 \times 50 \text{mm}$ B | $\varnothing 15 / 12 \text{mm}$ C | $L-46$ D1 | $L-46$ D2 | $\varnothing 3.0 \times 16 \text{mm}$ E | $\varnothing 3.0 \times 16 \text{mm}$ E1 | $\varnothing 3.0 \times 16 \text{mm}$ P1 | $\varnothing 3.0 \times 16 \text{mm}$ F1 | $\varnothing 35 / KR-90$ G10 |
| 20 | 8 | 12 | 20 | 12 | 4 | 20 | 12 | 14 | 6 | 8 |
| O10 | O12 | O | $\varnothing 5.0 \times 13 \text{mm}$ P9 | Z1 | $\varnothing 3.5 \times 16 \text{mm}$ N | $\varnothing 4.0 \times 22 \text{mm}$ R2 | S1 | L | | |
| 2 | 1 | 1 | 16 | 1 | 1 | 4 | 2 | 12 | | |
| | | | | $\varnothing 4.0 \times 16 \text{mm}$ P8 | F9 | | | | | |
| | | | | 48 | 12 | | | | | |

